



Electro-Pneumatic Positioner with Keypad & Remote Infrared AutoCal Calibration

AGENCY APPROVALS



Nema 4, 4x

Nonincendive:*

Class I, Groups A, B, C & D
Class II, Groups F & G,
Division 2



Intrinsically Safe:

Class I, II, III
Groups A - G; Division 1
(must be used with an approved barrier)

Explosionproof:

Class I, Groups C & D
Class II, Groups E, F & G
Divisions 1 & 2

K10

Electro-Pneumatic Positioner

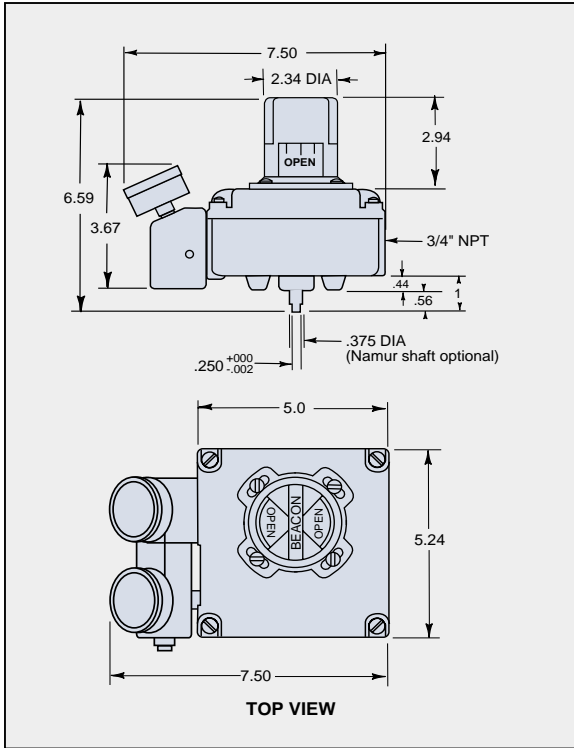
The model K10 electro-pneumatic positioner is the first of its kind having calibration either by a simple AutoCal push of a button or remotely by implementing an infrared signal from a handheld. The K10 positioner brings a new level of efficiency to operating personnel responsible for the calibration of I/P positioners.

FEATURES

- Fast calibration through a simple pushbutton AutoCal procedure or remote calibration by utilizing an infrared handheld.
- Certified General Purpose, Nonincendive or Explosionproof or Intrinsically Safe.
- 2 year warranty.
- Beacon visual position monitor.
- Integrated position sensor capability.
- Corrosion resistant engineered resin Nema 4, 4x enclosure standard. (Explosionproof unit: Aluminum)
- Optional high flow transducer.



DIMENSIONS (Inches)



OPERATING SPECIFICATIONS

K10 SPECIFICATIONS

Input current	4 to 20 mA (analog)
Voltage drop	9 volts
Supply air pressure	(low) 15 to 45 psi, (high) 40 to 120 psi
Resolution	0.2% of span
Linearity	±1% of span
Hysteresis	0.2% of span
Repeatability	0.2% of span
Thermal coefficient	2%/100°C
Output flow rates	(low) 8.0 scfm @ 25 psi, (high) 16.2 scfm @ 90 psi
Air consumption	(low) 0.003 scfm @ 20 psi, (high) 0.008 scfm @ 90 psi
Gain	Electronically adjustable
Air Connection Ports	1/4" NPT

P+F NJ2-V3 Sensors Proximity Type (Solid State), I.S., PTB, FM, CSA, CE

Sensing Range	3 mm
Electrical Version	D.C. voltage 2 wire in accordance with DIN19234 (NAMUR)
Hysteresis	Approx. 5%
Switching Frequency	1.5KHz
Nominal Voltage	8 VDC
Input Voltage Range	5-25 VDC
Output/Current	Cam Trigger Present ≤1mA
Consumption	Cam Trigger Absent ≥3mA (15mA max)
Operating Temp.	-25°C + 100°C

Materials of Construction (N/I & I/S)

Housing	Engineered Resin
Cover	Clear Engineered Resin
Manifold	Anodized Aluminum
Conduit	Stainless 3/4" NPT
Shaft	Stainless Steel
Hardware	Stainless Steel

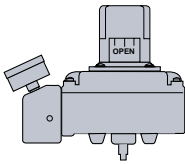


Materials of Construction (Explosionproof)

Housing	Aluminum
Cover	Aluminum
Manifold	Aluminum (anodized)
Conduit	3/4" NPT
Shaft	Stainless Steel
Hardware	Stainless Steel

Micro-Switch V3

AMPS	SPDT (V3)	
	VAC	VDC
15	125	
15	250	
10		24
0.50		125
0.25		125

ORDERING GUIDE

K10	AREA CLASSIFICATION	MOUNTING	SUPPLY PRESSURE	POSITION SENSOR
 <p>K10</p>  	<p>Nema 4, 4x Nonincendive Class I, Grps. A, B, C & D Class II, Grps. F & G; Div. 2 N</p>	<p>Standard S</p>	<p>High Pressure (40 to 120 PSI) H</p>	<p>No Switches O 1 Mech. Switch* A 2 Mech. Switches* B 1 Inductive Proximity Sensor C 2 Inductive Proximity Sensor D 4-20 mA Position Transmitter E</p>
	<p>Intrinsically Safe Class I, II, III; Grps. A - G, Div.1 (must be used with an approved barrier) I</p>	<p>Namur N</p>	<p>Low Pressure (15 to 45 PSI) L</p>	<p>High Flow (40 to 120 PSI) V</p>

*Mechanical switch option suitable for General Purpose applications only. Nonincendive approvals/certifications void when ordered with mechanical switches.

Infrared Handheld for K10 Positioner K10HH

Westlock reserves the right to change product designs and specifications without notice, and is not responsible for errors and omissions.